

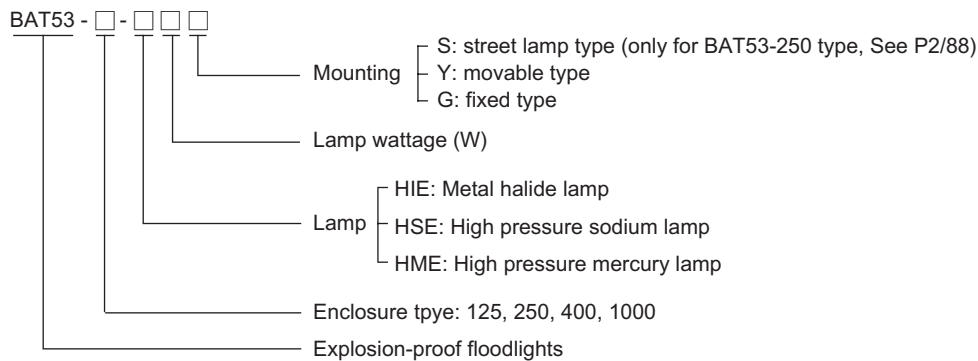
Floodlights

BAT53 Series Explosion-proof Floodlights

- ◆ Explosion protection to
 - CENELEC
 - IEC
 - NEC
- ◆ Can be used in
 - Zone 1 and Zone 2
 - Zone 21 and Zone 22
- ◆ Four enclosure types: 125, 250, 400, 1000.
- ◆ Integral control gear, easy installation and maintenance.
- ◆ Rapid starting trigger, stable performance and long service life.
- ◆ Enclosure in copper-free aluminium, powder coated external surface, rape yellow (RAL1021).
- ◆ Toughened glass cover resistant to temperature changes.



Catalogue number logic



Selection table

Type/Ordering code	Available lamp wattage (W)			Lamp holder	Weight (kg)
	HIE	HSE	HME		
BAT53-125	70, 100, 150	70, 100	80, 125	E27	8.45
BAT53-250	175, 250	150, 250	175, 250	E40	14.75
BAT53-400	400	400	-	E40	30.75
BAT53-1000	1000	1000	-	E40	58.00

Note

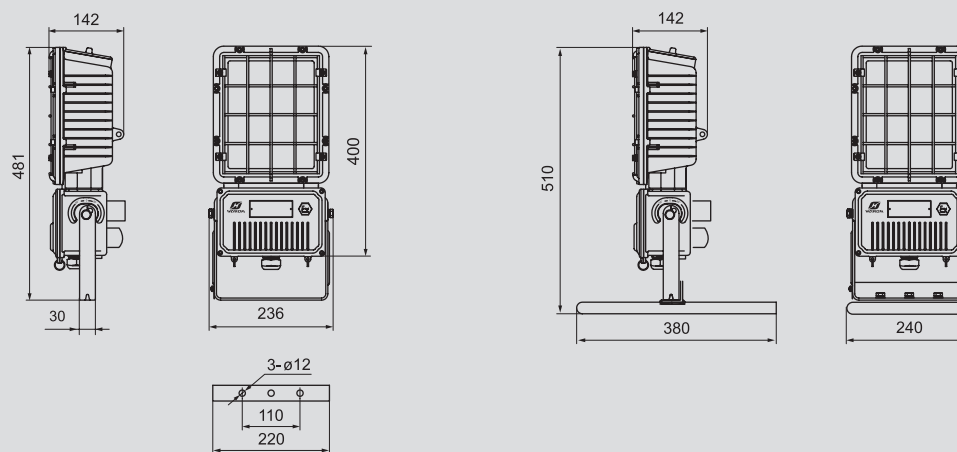
1. Please specify any spare parts when ordering. See Accessories table.
2. 125, 250 and 400 type light fittings are supplied without lamp. PHILIPS lamps are recommended.
3. HPI European standard ballast is supplied with HIE light fitting. HPI European standard lamps are recommended.
4. 1000 type light fittings are supplied with lamp and ballast.

Zones 1&2; 21&22

Technical data	
Explosion-proof floodlights	BAT53-125- □□□
Explosion protection	<p>Gas explosion protection $\text{Ex II 2 G Ex de IIB T4}$</p> <p>Dust explosion protection $\text{Ex tD A21 T130°C IP65}$</p>
Certificates	<p>For gas explosion protection LCIE 05 ATEX 6143; IECEx CQM 07.0004; FM (USA)</p> <p>For dust explosion protection PCEC (China)</p>
Conformity to standards	<p>EN 60079-0:2004, EN 60079-1:2004, EN 60079-7:2003</p> <p>IEC 60079-0:2004, IEC 60079-1:2003, IEC 60079-7:2001</p> <p>IEC 61241-0:2004, IEC 61241-1:2004</p>
Material	
Enclosure	Copper-free aluminium, powder coated external surface, rape yellow (RAL1021)
Ballast	Choke ballast, rapid starting, stable performance
Wire guard	Powder coated carbon steel, white
Internal reflector	High-purity aluminium
Trigger	Explosion-proof electronic trigger
Capacitor	Power factor ≥ 0.85 (compensated)
Exposed fastener	Stainless steel
Lamp	
Lamp holder	E27
Available lamp and lamp wattage (W)	<p>High pressure sodium lamp (HSE): 70W, 100W</p> <p>High pressure mercury lamp (HME): 80W, 125W</p> <p>Metal halide lamp (HIE): 70W, 100W, 150W</p> <p>Note: HPI European standard ballast is available in general</p>
Rated voltage	220~240V AC 50Hz (60Hz is optional)
Earthing protection	M5 (internal & external earth bolt)
Degree of protection	IP65
Ambient temperature	-20°C ~ +55°C
Terminal	3 x 1.5~2.5mm ² (L+N+PE)
Cable entries	2 x Ø21: 1 x M20 x 1.5 cable gland (DQM-I Ex e, carbon steel), 1 x M20 x 1.5 plug
Available cable outer diameter	Ø5~Ø10 (mm)



Dimension drawings (all dimensions in mm) - subject to alteration



G: fixed type

Y: movable type

Floodlights

BAT53 Series Explosion-proof Floodlights

Technical data

Explosion-proof floodlights

BAT53-250- □ □ □

Explosion protection

- Gas explosion protection
- Dust explosion protection

⊕ II 2 G Ex de IIB T3
Ex tD A21 T195°C IP65

Certificates

- For gas explosion protection
- For dust explosion protection

LCIE 05 ATEX 6143; IECEx CQM 07.0004; FM (USA)
PCEC (China)

Conformity to standards

EN 60079-0:2004, EN 60079-1:2004, EN 60079-7:2003
IEC 60079-0:2004, IEC 60079-1:2003, IEC 60079-7:2001
IEC 61241-0:2004, IEC 61241-1:2004

Material

- Enclosure
- Ballast
- Wire guard
- Internal reflector
- Trigger
- Capacitor
- Exposed fastener

Copper-free aluminium, powder coated external surface, rape yellow (RAL1021)
Choke ballast, rapid starting, stable performance
Powder coated carbon steel, white
High-purity aluminium
Explosion-proof electronic trigger
Power factor ≥ 0.85 (compensated)
Stainless steel

Lamp

- Lamp holder
- Available lamp and lamp wattage (W)

E40
High pressure sodium lamp (HSE): 150W, 250W
High pressure mercury lamp (HME): 175W, 250W
Metal halide lamp (HIE): 175W, 250W
Note: HPI European standard ballast is available in general

Rated voltage

220~240V AC 50Hz (60Hz is optional)

Earthing protection

M5 (internal & external earth bolt)

Degree of protection

IP65

Ambient temperature

-20°C ~ +55°C

Terminal

3 x 1.5~2.5mm² (L+N+PE)

Cable entries

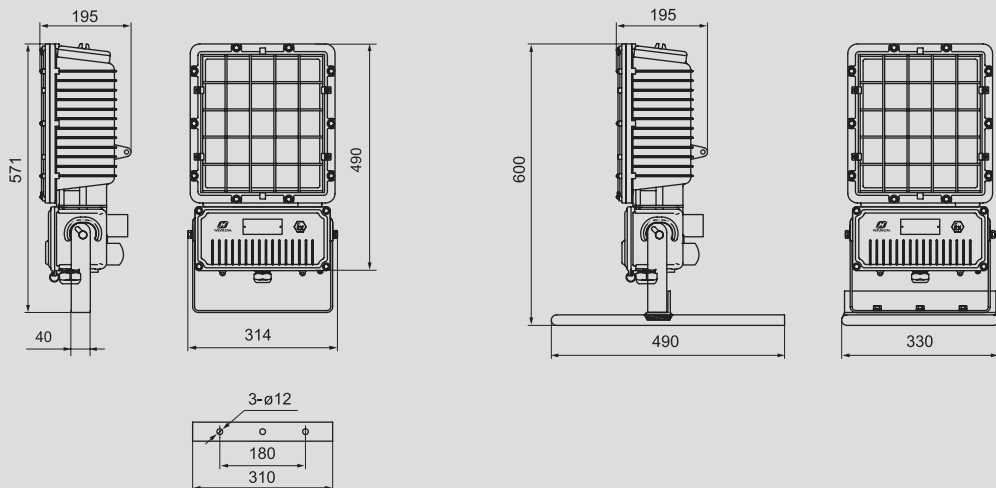
2 x Ø26: 1 x M25 x 1.5 cable gland (DQM-I Ex e, carbon steel), 1 x M25 x 1.5 plug

Available cable outer diameter

Ø10~Ø14 (mm)



Dimension drawings (all dimensions in mm) - subject to alteration



G: fixed type

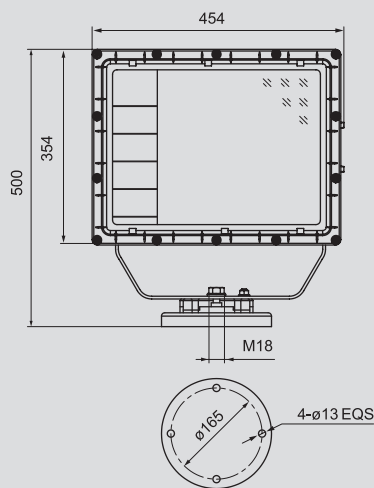
Y: movable type

Technical data

Explosion-proof floodlights	BAT53-400- □□□
Explosion protection	<p>Gas explosion protection Ex II 2 G Ex de IIB T3</p> <p>Dust explosion protection Ex tD A21 T195°C IP65</p>
Certificates	<p>For gas explosion protection LCIE 07 ATEX 6106; IECEx CQM 08.0014; BR229792 (Brazil); FM (USA)</p> <p>For dust explosion protection PCEC (China)</p>
Conformity to standards	<p>EN 60079-0:2004, EN 60079-1:2004, EN 60079-7:2003</p> <p>IEC 60079-0:2004, IEC 60079-1:2003, IEC 60079-7:2001</p> <p>IEC 61241-0:2004, IEC 61241-1:2004</p>
Material	
Enclosure	Copper-free aluminium, powder coated external surface, rape yellow (RAL1021)
Ballast	Choke ballast, rapid starting, stable performance
Internal reflector	High-purity aluminium
Trigger	Explosion-proof electronic trigger
Capacitor	Power factor ≥ 0.85 (compensated)
Exposed fastener	Stainless steel
Lamp	
Lamp holder	E40
Available lamp and lamp wattage (W)	High pressure sodium lamp (HSE): 400W (tubular) Metal halide lamp (HIE): 400W (tubular) Note: HPI European standard ballast is available in general
Rated voltage	220~240V AC 50Hz (60Hz is optional)
Earthing protection	M5 (internal & external earth bolt)
Degree of protection	IP65
Ambient temperature	-20°C ~ +55°C
Terminal	3 x 1.5~2.5mm ² (L+N+PE)
Cable entries	2 x M25 x 1.5: 1 x M25 x 1.5 cable gland (DQM-I Ex e, carbon steel), 1 x M25 x 1.5 plug
Available cable outer diameter	Ø10~Ø14 (mm)



Dimension drawings (all dimensions in mm) - subject to alteration



Floodlights

BAT53 Series Explosion-proof Floodlights

Technical data

Explosion-proof floodlights

BAT53-1000- □□□

Explosion protection

Gas explosion protection

 Ex II 2 G Ex d IIC T3

Certificates

For gas explosion protection

PCEC (China)

Conformity to standards

IEC 60079-0:2004, IEC 60079-1:2003

Material

Enclosure

Copper-free aluminium, powder coated external surface, rape yellow (RAL1021)

Ballast

Choke ballast, rapid starting, stable performance

Trigger

General trigger

Capacitor

 Power factor ≥ 0.85 (compensated)

Internal reflector

High-purity aluminium

Exposed fastener

Stainless steel

Lamp

Lamp holder

E40

Available lamp and lamp wattage (W)

High pressure sodium lamp (HSE):1000W

Metal halide lamp (HIE):1000W

Note: HPI European standard ballast is available in general

Rated voltage

230V AC 50Hz (60Hz is optional)

Earthing protection

M5 (internal & external earth bolt)

Degree of protection

IP65

Ambient temperature

 $-20^{\circ}\text{C} \sim +55^{\circ}\text{C}$

Terminal

 $3 \times 1.5 \sim 2.5\text{mm}^2$ (L+N+PE)

Cable entries

 $1 \times \text{M}25 \times 1.5$

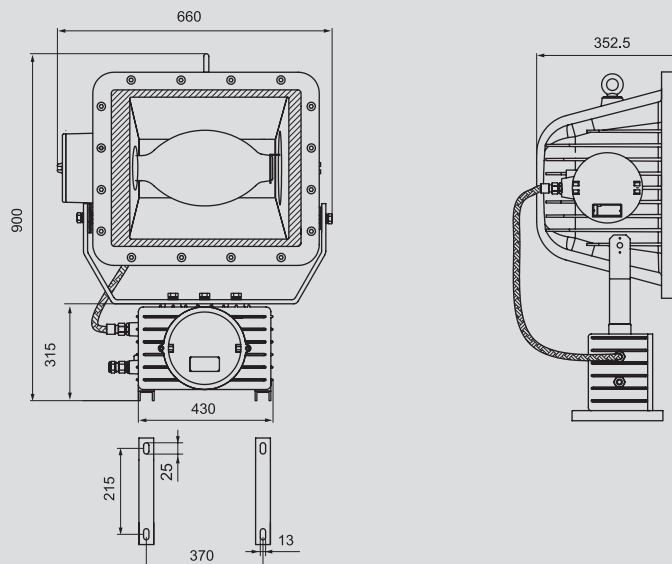
Cable gland

The cable between floodlight and ballast through BNG-M25 x 1.5(M)/M25 x 1.5(M) explosion-proof flexible conduit (length: 1000 mm); One explosion-proof cable gland (DQM-II-M25 x 1.5, Ex d, brass, armored, cable wiring)

Available cable outer diameter

 $\text{Ø}10 \sim \text{Ø}14$ (mm)


Dimension drawings (all dimensions in mm) - subject to alteration

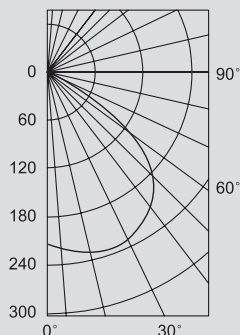


Photometric data

BAT53-125

Photometric data of
100W metal halide lamp

Rated luminous flux:9000lm;
Luminous intensity distribution
cd/1000lm



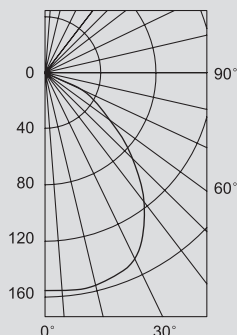
70W Metal halide lamp*0.56
70W High pressure sodium lamp*0.67
100W High pressure sodium lamp*1.06
80W High pressure mercury lamp*0.41
125W High pressure mercury lamp*0.68
150W Metal halide lamp*1.66

Angle	CP	Angle	CP
0	1948	50	1370
5	1945	55	612
10	1953	60	385
15	1963	65	236
20	1950	70	131
25	1955	75	66
30	1839	80	37
35	1733	85	0
40	1649	90	0
45	1588		

BAT53-250

Photometric data of
250W metal halide lamp

Rated luminous flux:23000lm;
Luminous intensity distribution
cd/1000lm



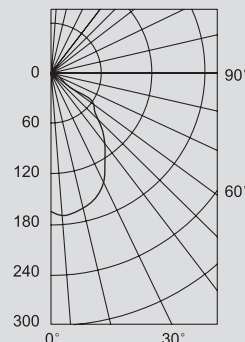
175W Metal halide lamp*0.61
150W High pressure sodium lamp*0.65
250W High pressure sodium lamp*1.22
175W High pressure mercury lamp*0.32
250W High pressure mercury lamp*0.55

Angle	CP	Angle	CP
0	3162	50	1419
5	3197	55	975
10	3183	60	613
15	3128	65	354
20	3073	70	202
25	3010	75	127
30	2790	80	65
35	2505	85	5
40	2191	90	3
45	1806		

BAT53-400

Photometric data of
400W metal halide lamp

Rated luminous flux:38000lm;
Luminous intensity distribution
cd/1000lm



400W High pressure sodium lamp*1.26

Angle	CP	Angle	CP
0	5982	50	2330
5	6178	55	1849
10	6103	60	443
15	6054	65	338
20	5706	70	234
25	5342	75	111
30	4751	80	52
35	4235	85	12
40	3517	90	4
45	2765		

We can provide lighting design and data by professional lighting software DIALUX based upon simulated site situation on request.

Accessories

Picture	Name	Ordering code	Weight (kg)
	Explosion-proof electronic trigger (125, 250, 400 type)	61034	0.30
	125 Explosion-proof capacitor	53012	0.45
	250 Explosion-proof capacitor	53013	0.45
	400 Explosion-proof capacitor	53014	0.55
	125 Movable support	53015	1.80
	250 Movable support	53016	2.35

Note: Ballast see P2/4

