

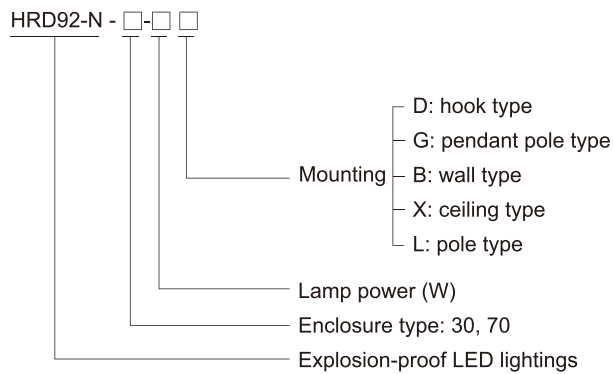
LED Light Fittings

HRD92-N Series Explosion-proof LED Lightings



- ◆ Explosion protection to
 - CENELEC
 - IEC
 - NEC
- ◆ Can be used in
 - Zone 2
 - Zone 21 and Zone 22
 - Class I, Zone 2
 - Class I, Division 2, Groups A, B, C, D
- ◆ Two enclosure types:30, 70
- ◆ Applicable lamp and power (max.70W)
 - LED: 20W, 30W, 50W, 70W
- ◆ Isolated LED lamp compartment, CC-CV (constant current - constant voltage) power controller compartment and terminal compartment; Wind-convection heat dissipation structure

■ Catalogue number logic



Zones 2; 21&22

LED Light Fittings

HRD92-N Series Explosion-proof LED Lightings

Technical data	
Explosion-proof LED lightings	HRD92-N -□-□□
Explosion protection	<p>Gas explosion protection Ex II 3 G Ex nR IIC T6 Gc</p> <p>Dust explosion protection Ex II 2 D Ex tb IIIC T80°C Db IP66</p>
Certificates	LCIE 15 ATEX____; IECEx
Conformity to standards	EN 60079-0: 2012, EN 60079-15: 2010, EN 60079-31: 2009 IEC 60079-0: 2011, IEC 60079-15: 2010, IEC 60079-31: 2008
Material	Copper-free aluminium, powder coated surface, yellow (RAL1021)
Enclosure	Toughened glass, stands 4J impact
Transparent cover	CC-CV (constant current - constant voltage) output, power factor ≥ 0.95 , with function of distributed current, constant current, surge-proof and anti-electromagnetic interference, and protection against overcurrent, open circuit, and short circuit
LED driver	
Exposed fastener	Stainless steel
Lamp	Multiple International brand of LED modules
Lamp specification	20W, 30W, 50W, 70W
Lamp power (W)	Cool white : 5400 ~ 6500K
Colour Temperature (CCT)	Note: cool white is available in general. Warm white (2700~3500K) or nature white (4700~5400K) is optional, please specify when ordering.
Rated voltage	220~240V AC 50/60Hz
Earthing protection	M5 (internal & external earth bolts)
Degree of protection	IP66, IP67(optional)
Ambient temperature	-40°C~+55°C
Terminal	3 x 1.5~4mm ² (L+N+PE)
Mounting	Ceiling type, pole type, pendant pole type, wall type, hook type
Cable entries	G3/4" (NPT3/4" or M25 x 1.5 with connector on request)
Cable gland	See Mounting Accessories and Spare Parts Table
Available cable outer diameter	$\Phi 10 \sim \Phi 14$ (mm)



Selection table					
Type / Ordering code	Lamp power(W)	Weight(kg)	Type / Ordering code	Lamp power(W)	Weight(kg)
HRD92-N-30-20D	20	2.00	HRD92-N-70-50D	50	2.90
HRD92-N-30-20X	20	2.60	HRD92-N-70-50X	50	3.50
HRD92-N-30-20G	20	3.00	HRD92-N-70-50G	50	3.90
HRD92-N-30-20L	20	1.80	HRD92-N-70-50L	50	2.70
HRD92-N-30-20B	20	3.25	HRD92-N-70-50B	50	4.15
HRD92-N-30-30D	30	2.00	HRD92-N-70-70D	70	2.90
HRD92-N-30-30X	30	2.60	HRD92-N-70-70X	70	3.50
HRD92-N-30-30G	30	3.00	HRD92-N-70-70G	70	3.90
HRD92-N-30-30L	30	1.80	HRD92-N-70-70L	70	2.70
HRD92-N-30-30B	30	3.25	HRD92-N-70-70B	70	4.15

Note: 1. Products above include all the mounting accessories listed in Mounting Accessories & Spare Parts Table (see P2/67).
2. The product is supplied according to "Type/Ordering code" in the table with mounting accessories.

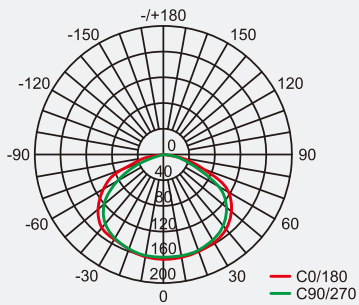
LED Light Fittings HRD92-N Series Explosion-proof LED Lightings

Photometric data Note: LED luminous flux is from the standard product of which colour temperature is 5400 to 6500K (cool white).



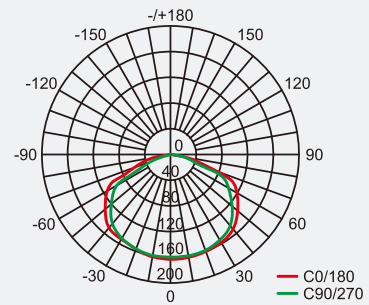
HRD92-N-30-□□

Rated luminous flux
20W LED: 1800lm
30W LED: 2700lm



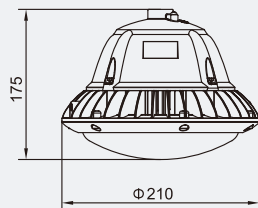
HRD92-N-70-□□

Rated luminous flux
50W LED: 4500lm
70W LED: 6300lm

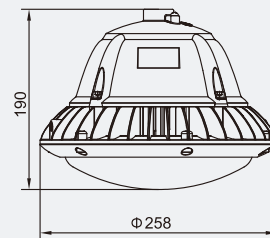


We can provide lighting design and data by professional lighting software DIALUX based upon simulated site situation on request.

Dimension drawings (all dimensions in mm) - subject to alteration



HRD92-N-30



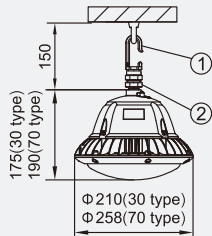
HRD92-N-70

LED Light Fittings HRD92-N Series Explosion-proof LED Lightings

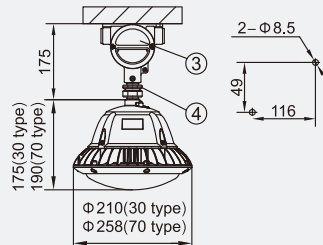
Mounting type (all dimensions in mm) – subject to alteration

Installation reference

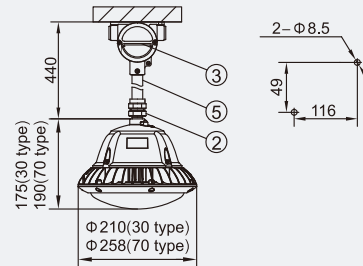
D: hook type



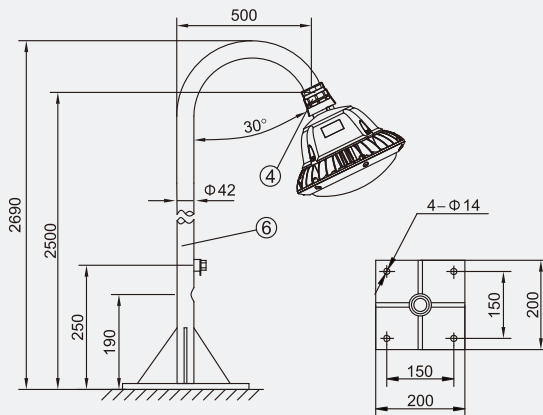
X: ceiling type



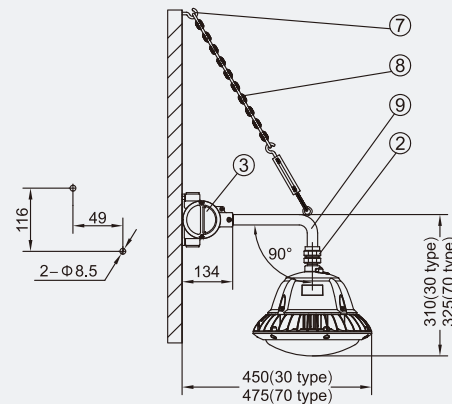
G: pendant pole type



L: pole type



B: wall type



Mounting accessories and spare parts table

Supplied according to the mounting type

Mounting type	Accessories			Ordering code	Weight (kg)
	Name	Qty	Illustration		
D: hook type	① Hook (carbon steel)	1	See P2/79	61020	0.20
	② BGJ-III Explosion-proof connector	1	G3/4"(M)/M25 x 1.5(F) Carbon steel	81D02	0.26
X: ceiling type	③ BHD51 Explosion-proof junction box	1	Copper-free aluminium (Ex d IIC)	BHD51-F	0.80
	④ BGJ-III Explosion-proof connector	1	M25 x 1.5(M)/ G3/4"(M) Carbon steel	81X01	0.30
G: pendant pole type	② BGJ-III Explosion-proof connector	1	G3/4"(M)/M25 x 1.5(F) Carbon steel	81D02	0.26
	③ BHD51 Explosion-proof junction box	1	Copper-free aluminium (Ex d IIC)	BHD51-F	0.80
	⑤ Straight pipe (M25 x 1.5)	1	Length: 300mm	81G01	0.41
L: pole type	④ BGJ-III Explosion-proof connector	1	M25 x 1.5(M)/ G3/4"(M) Carbon steel	81X01	0.30
	⑥ Pole	1	Φ40mm	81L01	-
B: wall type	② BGJ-III Explosion-proof connector	1	G3/4"(M)/M25 x 1.5(F) Carbon steel	81D02	0.26
	③ BHD51 Explosion-proof junction box	1	Copper-free aluminium (Ex d IIC)	BHD51-F	0.80
	⑦ Hook expansion bolt	1	See P2/79	52017	0.03
	⑧ Chain	1	Length: 450mm	80B11	0.08
	⑨ Elbow pipe 90°(M25 x 1.5)	1	Length: 400mm	51022	0.55

Note: 1. Accessories not in the table shall be supplied by user.

2. Pole ⑥ shall not be supplied with light fittings; if required, please specify when ordering.